



Model **DF2000** Control Valve



Figure 1 Dyna-Flo Model DF2000 with DFC Actuator

The Model DF2000 Control Valves are heavy duty globe style control valves used in all kinds of demanding oil and gas applications, from well head to gas plant and beyond.

The Model DF2000 control valves are post guided, single port valves that can be used for either throttling or on-off control of either liquids or gasses.

The actuator for the Model DF2000 valve is typically a Dyna-Flo model DFC or DFO linear actuator. These heavy duty actuators are spring return diaphragm style, and can be used with or without a valve positioner.

The Model DF2000 control valves are manufactured to a high level of quality specifications to ensure superior performance and customer satisfaction.

Features

Configuration

Globe valve with screwed-on bonnet, unbalanced, post-guided valve plug, screwed-in metal seat ring construction, and push-down-to close valve plug action.

Low Temperature Construction Standard

Grade LCC low temperature steel, rated to -50F (-45C), is standard for the valve body and bonnet.

Severe Service Capable

Constructions are available for service in very erosive applications using a valve plug with a tungsten carbide tip and a seat ring with a full-bore tungsten carbide insert.

Valve Sizes and Flange Ratings

The Model DF2000 is available in a 1" and 2" body size, with NPT, RF, or RTJ end connections, in ASME Class 150-2500.

Easy Maintenance

The screwed bonnet/body joint, and seat ring allow repair or maintenance with a minimum of tools.

Shut Off Capability

The standard shut off classification is ASME/ FCI Class IV. Class V is a readily available option.

Superior Construction

The latest in CNC manufacturing and the heavy duty design positively align the valve plug in the seat ring for high pressure drop applications.

NACE Service Capability is Standard

The standard construction materials comply with the recommendations of the National Association of Corrosion Engineers (NACE) MR0175, 2002.



Model DF2000 Control Valve

Table 1

Rated Inlet Pressure and Temperature

Valve Size	Body Type	Class [◇]	Temperature		Maximum Pressure		
			°F	°C	Psi	kPa	
1 and 2 Inch	NPT	3750* (1500 ANSI)	100	38	3750	25,855	
			450	232	3425	23,615	
		6250* (2500 ANSI)	100	38	6250	43,092	
			450	232	5710	39,369	
		Flanged	600 ANSI	100	38	1500	10,342
				450	232	1370	9,446
	1500 ANSI		100	38	3750	25,855	
			450	232	3425	23,615	
	2500 ANSI	100	38	6250	43,092		
		450	232	5710	39,369		

* Indicates Working Class Pressure (Psig)

◇ Indicates Class or Cold Working Pressure Limit

Specifications

Valve Size, Flange Ratings, and Connections

Size: 1" and 2"
 Rating: ANSI 150/300/600/900/1500/2500
 Connections: RF / RTJ / NPT

Rated Inlet Pressure and Temperature

Per ANSI / ASME B16.34 - 1996
 Also see Table 1

Maximum Allowable Pressure Drops

Flow-to-open: Capable of full rated pressure drops
 Flow-to-close: For more information contact your Dyna-Flo Sales Office

(See Tables 6 & 7)

Material Temperature Capabilities

-50 to 450°F (-45 to 232°C) for standard LCC body.

Construction Materials

See Figure 2 for valve diagram and keys
 See Table 2 for construction materials

Dimensions

Valve and Actuator assembly diagram - See figure 3
 Valve and Actuator assembly dimensions - See tables 8 and 9

Flow Direction

Up through seat ring and out past valve plug

Flow Characteristic

Equal Percentage, others available upon request.

Port, Valve Mounting Connection, Stem Diameters, and Rated Travel

See Table 4

Valve Sizing Coefficients

Maximums by port size (Cv)

1/4"	1.64
3/8"	4.03
1/2"	6.82
3/4"	14.00
1"	23.70
1-1/4"	34.50

Detailed - See Table 3

Sizing Coefficients

Fail Close Actuator - See Table 6
 Fail Open Actuator - See Table 7

Valve Body and Actuator
 Approximate Weights - See Table 5

Options

- Trim in Tungsten Carbide
- Anti-corrosion coating of internal body passage
- Live loaded low emission packing

For more information and other options contact your Dyna-Flo sales office.



Model **DF2000** Control Valve

Table 2

Model DF2000 Standard Construction Materials

Key	Description	Material
1	Body	A352LCC
2	Bonnet & Bushing Assembly	A352LCC
2a	Bushing	17-4PH SST DH1150
3	Bonnet Gasket	316 SST
4	Lower Wiper	PTFE
5	Packing Box Ring	316 SST
6, 8	Packing Set (2 Req'd)	PTFE
7	Packing Spacer	316 SST
9	Packing Follower	316 SST
10	Packing Flange	Plated Steel
11	Stem Wiper	Felt
12	Packing Nut (2 Req'd)	2H
13	Packing Stud (2 Req'd)	B7
14	Yoke Nut	Zinc Plated Steel
15	Seat Ring Gasket	304 SST
16*	Seat Ring	316 SST / Alloy 6
17*	Plug / Stem Assembly	316 SST / Alloy 6 & Nitronic 50 SST

*Other Options Available



Model DF2000 Control Valve

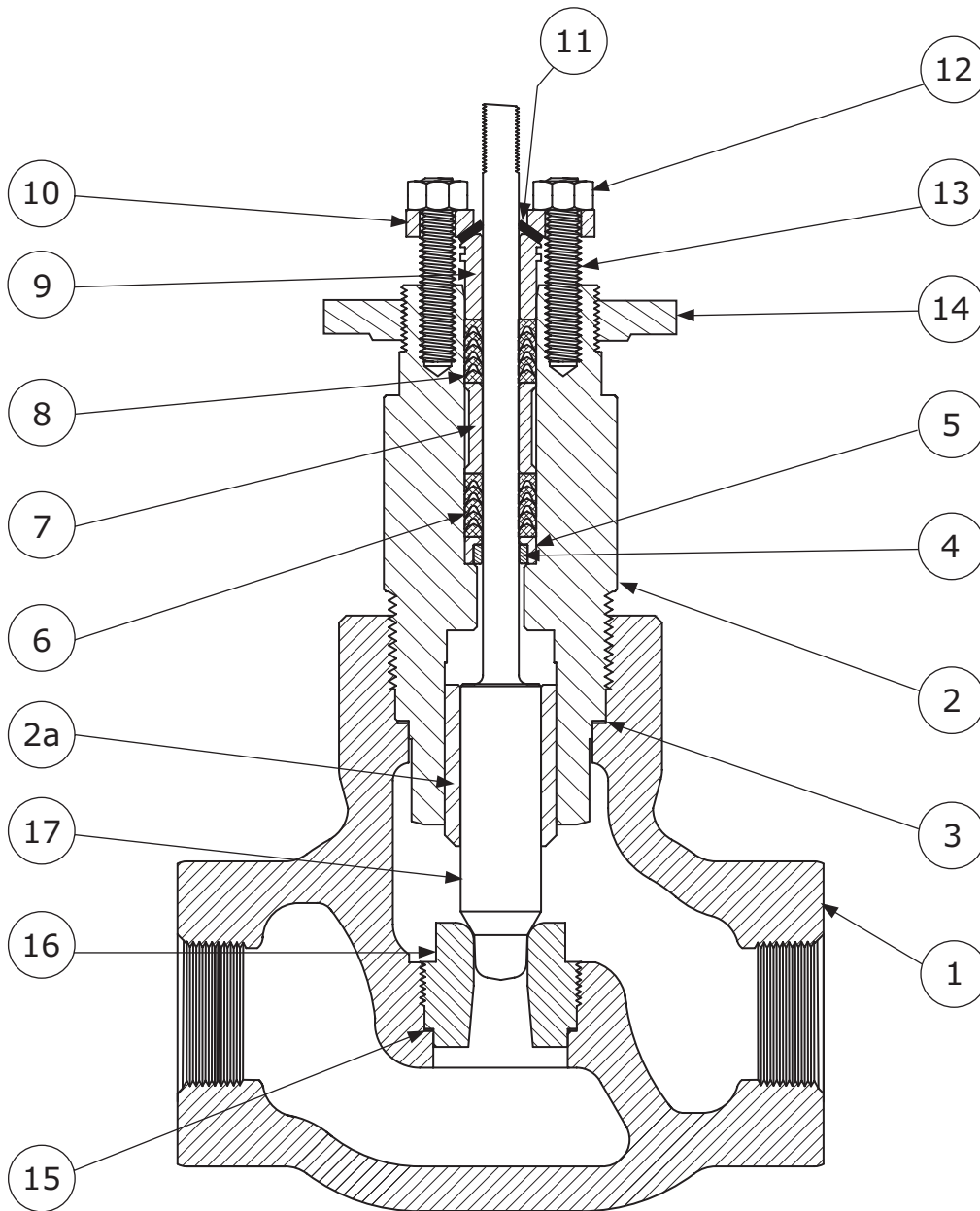


Figure 2
Valve Diagram With Keys



Model
DF2000 Control Valve

Table 3

Model DF2000 Valve Sizing Coefficients, for Equal Percentage Trim
(other available upon request)

1 Inch Valve

Port Size		Percentage of Valve Travel									
		10%	20%	30%	40%	50%	60%	70%	80%	90%	100%
1/4 Inch	C _v	0.08	0.115	0.164	0.224	0.315	0.45	0.641	0.921	1.28	1.64
	X _T	0.783	0.783	0.744	0.691	0.625	0.614	0.608	0.611	0.61	0.61
	F _L	0.87	0.87	0.87	0.87	0.87	0.87	0.87	0.87	0.87	0.87
3/8 Inch	C _v	0.155	0.260	0.407	0.596	0.858	1.21	1.65	2.22	3.00	4.03
	X _T	0.625	0.535	0.534	0.539	0.535	0.535	0.538	0.534	0.537	0.536
	F _L	0.84	0.84	0.84	0.84	0.84	0.84	0.84	0.84	0.84	0.84
1/2 Inch	C _v	0.272	0.435	0.63	0.91	1.29	1.83	2.56	3.64	5.07	6.50
	X _T	0.613	0.627	0.585	0.576	0.565	0.553	0.535	0.509	0.49	0.501
	F _L	0.80	0.80	0.80	0.80	0.80	0.80	0.80	0.80	0.80	0.80
3/4 Inch	C _v	0.482	0.774	1.24	1.96	2.90	4.12	5.87	8.15	10.8	12.2
	X _T	0.581	0.616	0.581	0.586	0.581	0.573	0.549	0.541	0.529	0.528
	F _L	0.80	0.80	0.80	0.80	0.80	0.80	0.80	0.80	0.80	0.80

2 Inch Valve

Port Size		10%	20%	30%	40%	50%	60%	70%	80%	90%	100%
		1/4 Inch	C _v	0.08	0.115	0.164	0.224	0.315	0.45	0.641	0.921
	X _T	0.783	0.783	0.744	0.691	0.625	0.614	0.608	0.611	0.61	0.610
	F _L	0.87	0.87	0.87	0.87	0.87	0.87	0.87	0.87	0.87	0.87
3/8 Inch	C _v	0.155	0.26	0.407	0.596	0.858	1.21	1.65	2.22	3.00	4.03
	X _T	0.625	0.535	0.534	0.539	0.535	0.535	0.538	0.534	0.537	0.536
	F _L	0.84	0.84	0.84	0.84	0.84	0.84	0.84	0.84	0.84	0.84
1/2 Inch	C _v	0.348	0.505	0.709	0.996	1.38	1.92	2.69	3.82	5.25	6.82
	X _T	0.613	0.627	0.585	0.576	0.565	0.553	0.535	0.509	0.49	0.501
	F _L	0.80	0.80	0.80	0.80	0.80	0.80	0.80	0.80	0.80	0.80
3/4 Inch	C _v	0.613	0.952	1.44	2.06	2.92	4.13	5.86	8.16	11.1	14.0
	X _T	0.581	0.616	0.581	0.586	0.581	0.573	0.549	0.541	0.529	0.528
	F _L	0.80	0.80	0.80	0.80	0.80	0.80	0.80	0.80	0.80	0.80
1 Inch	C _v	1.20	1.68	2.44	3.53	5.05	7.28	10.5	14.0	18.4	23.7
	X _T	0.517	0.569	0.559	0.542	0.544	0.54	0.507	0.508	0.507	0.508
	F _L	0.82	0.82	0.82	0.82	0.82	0.82	0.82	0.82	0.82	0.82
1-1/4 Inch	C _v	1.32	1.76	2.49	3.66	5.42	8.23	12.7	20.6	28.9	34.5
	X _T	0.521	0.563	0.548	0.534	0.498	0.503	0.553	0.528	0.524	0.579
	F _L	0.85	0.85	0.85	0.85	0.85	0.85	0.85	0.85	0.85	0.85

Relationships of Note: $C_1 = 39.76 \sqrt{X_T}$

$C_6 = C_v C_1$

$K_M = F_L^2$



Model **DF2000** Control Valve

Table 4

Model DF2000

Port Size, Valve Mounting Connection, Stem Diameters, and Rated Travel In. (mm)

Valve Size	Port Diameter	Standard (inch / mm)			Optional (inch / mm)		
		Valve Mounting Connection	Stem Diameter	Rated Travel	Valve Mounting Connection	Stem Diameter	Rated Travel
1 Inch	Inch (mm)						
	1/4 (6.4)	2-1/8 (54)	3/8 (9.5)	3/4 (9.5)	2-13/16 (71)	1/2 (12.7)	3/4 (19)
	3/8 (9.5)						
	1/2 (12.7)						
3/4 (19.1)							
2 Inch	1/4 (6.4)	2-13/16 (71)	1/2 (12.7)	3/4 (19)	3-9/16 (90)	3/4 (19)	3/4 (19)
	3/8 (9.5)						
	1/2 (12.7)						
	3/4 (19.1)						
	1 (25.4)						
	1-1/4 (31.8)						

Table 5

Approximate Valve Body and Valve Assembly Weights Pounds (Kilograms)

DF2000	Valve Only	DFC/DFO 1069	DFC/DFO 2069	DFC/DFO 2105	DFC/DFO 2156
1" NPT	25 (11)	69 (31)	N/A	N/A	N/A
1" 150 to 600#	45 (20)	89 (40)	N/A	N/A	N/A
1" 900/1500#	75 (34)	119 (54)	N/A	N/A	N/A
2" NPT	75 (34)	N/A	150 (68)	186 (84)	214 (97)
2" 150 to 600#	95 (43)	N/A	170 (77)	206 (94)	234 (106)
2" 900/1500#	115 (52)	N/A	190 (86)	226 (115)	254 (115)



Model
DF2000 Control Valve

Table 6

Model DF2000 Fail Closed Actuator Maximum Shut-off Capabilities with DF2000 Valves 6 to 30 psig Signal, 35 Psig Supply

1 Inch Valve

Port Size	DFC Size 1069
Inches (mm)	Psig (kPag)
1/4 (6.4)	6250 (43,092) ²
3/8 (9.5)	6250 (43,092) ²
1/2 (12.7)	5750 (39,644) ⁴
3/4 (19.1)	2485 (17,133) ⁴

2 Inch Valve

Port Size	DFC Size 2069	DFC Size 2105	DFC Size 2156	DFC Size 3220
Inches (mm)	Psig (kPag)	Psig (kPag)	Psig (kPag)	Psig (kPag)
1/4 (6.4)	6250 (43,092) ²	6250 (43,092) ¹	6250 (43,092) ¹	-
3/8 (9.5)	6250 (43,092) ²	6250 (43,092) ¹	6250 (43,092) ¹	-
1/2 (12.7)	5750 (39,644) ⁴	6250 (43,092) ³	6250 (43,092) ³	-
3/4 (19.1)	2400 (16,547) ⁴	4100 (28,268) ⁵	6250 (43,092) ⁶	-
1 (25.4)	1325 (9,135) ⁴	2685 (18,512) ⁷	3900 (26,889) ⁶	5850 (40,334) ⁷
1-1/4 (31.8)	820 (5,653) ⁴	1689 (11,645) ⁷	2474 (17,057) ⁶	3655 (25,200) ⁷

Bench Set

- 1 10-30 (68-207)
- 2 14-30 (97-207)
- 3 17-30 (117-207)
- 4 18-30 (124-207)
- 5 19-30 (131-207)
- 6 21-30 (145-207)
- 7 22-30 (152-207)

Note

All the above actuator fail close shut-off capabilities are Class IV. A higher shut-off may be achieved by using a higher bench set, contact your Dyna-Flo sales office for additional information.



Model
DF2000 Control Valve

Table 7

Model DF2000 Fail Open Actuator Maximum Shut-off Capabilities with DF2000 Valves 6 to 30 psig Signal, 35 Psig Supply

1 Inch Valve

Port Size	DFO Size 1069
Inches (mm)	Psig (kPag)
1/4 (6.4)	6250 (43,092) ²
3/8 (9.5)	5500 (37,921) ²
1/2 (12.7)	4600 (37,716) ³
3/4 (19.1)	2000 (13,790) ³

2 Inch Valve

Port Size	DFO Size 2069	DFO Size 2105	DFO Size 2156	DFO Size 3220
Inches (mm)	Psig (kPag)	Psig (kPag)	Psig (kPag)	Psig (kPag)
1/4 (6.4)	6250 (43,092) ²	6250 (43,092) ²	6250 (43,092) ³	—
3/8 (9.5)	6250 (43,092) ⁴	6250 (43,092) ³	6250 (43,092) ³	—
1/2 (12.7)	3750 (25,855) ⁴	6250 (43,092) ³	6250 (43,092) ³	—
3/4 (19.1)	1950 (13,444) ⁴	4100 (25,268) ⁶	5700 (39,300) ⁵	6250 (43,092) ⁶
1 (25.4)	1050 (7,239) ⁴	2285 (15,754) ⁶	3300 (22,752) ⁵	5020 (34,611) ⁶
1-1/4 (31.8)	650 (4,481) ⁴	1425 (9,825) ⁶	2090 (14,410) ⁵	3175 (21,890) ⁶

Bench Set

- 1 6-26 (41-179)
- 2 6-22 (41-152)
- 3 6-19 (41-131)
- 4 6-18 (41-124)
- 5 6-15 (41-103)
- 6 6-14 (41-97)

Note

All the above actuator fail open shut-off capabilities are Class IV. A higher shut-off may be achieved by using a higher bench set, contact your Dyna-Flo sales office for additional information.



Model
DF2000 Control Valve

Table 8

Model DF2000 with Fail Open Actuator Envelope Dimensions - Inches (mm)

Valve Size	End Connection	Actuator Size	A	B	C	D	E	F	
1 Inch	NPT	DFO-1069	6.62 (168)	3.31 (84)	1.81 (46)	26.40 (671)	13.13 (333)	5.00 (127)	
		150# RF	DFO-1069	8.12 (206)	4.06 (103)	1.81 (46)	26.40 (671)	13.13 (333)	5.00 (127)
		300# RF	DFO-1069	8.62 (219)	4.31 (109)	1.81 (46)	26.40 (671)	13.13 (333)	5.00 (127)
		600# RF	DFO-1069	9.12 (232)	4.56 (116)	1.81 (46)	26.40 (671)	13.13 (333)	5.00 (127)
		900# and 1500# RF and RTJ	DFO-1069	10.0 (254)	5.00 (127)	1.81 (46)	26.40 (671)	13.13 (333)	5.00 (127)
2 Inch	NPT	DFO-2069	9.00 (229)	4.50 (114)	2.75 (70)	30.06 (765)	13.13 (333)	6.88 (175)	
		DFO-2105	9.00 (229)	4.50 (114)	2.75 (70)	34.44 (876)	16.00 (407)	6.88 (175)	
		DFO-2156	9.00 (229)	4.50 (114)	2.75 (70)	34.44 (876)	18.62 (473)	6.88 (175)	
	150# RF	DFO-2069	10.50 (267)	5.25 (133)	2.75 (70)	30.06 (764)	13.13 (333)	6.88 (175)	
		DFO-2105	10.50 (267)	5.25 (133)	2.75 (70)	34.44 (875)	16.00 (407)	6.88 (175)	
		DFO-2156	10.50 (267)	5.25 (133)	2.75 (70)	34.50 (876)	18.62 (473)	6.88 (175)	
	300# RF	DFO-2069	10.50 (267)	5.25 (133)	2.75 (70)	30.06 (764)	13.13 (333)	6.88 (175)	
		DFO-2105	10.50 (267)	5.25 (133)	2.75 (70)	34.44 (875)	16.00 (407)	6.88 (175)	
		DFO-2156	10.50 (267)	5.25 (133)	2.75 (70)	34.44 (875)	18.62 (473)	6.88 (175)	
	600# RF	DFO-2069	11.25 (286)	5.62 (143)	2.75 (70)	30.06 (764)	13.13 (333)	6.88 (175)	
		DFO-2105	11.25 (286)	5.62 (143)	2.75 (70)	34.44 (875)	16.00 (407)	6.88 (175)	
		DFO-2156	11.25 (286)	5.62 (143)	2.75 (70)	34.44 (875)	18.62 (473)	6.88 (175)	
	900# and 1500# RF	DFO-2069	12.12 (308)	6.06 (154)	2.75 (70)	30.06 (764)	13.13 (333)	6.88 (175)	
		DFO-2105	12.12 (308)	6.06 (154)	2.75 (70)	34.44 (875)	16.00 (407)	6.88 (175)	
		DFO-2156	12.12 (308)	6.06 (154)	2.75 (70)	34.44 (875)	18.62 (473)	6.88 (175)	
		DFO-3220	12.12 (308)	6.12 (155)	2.75 (70)	41.40 (1052)	21.10 (536)	9.12 (232)	
	900# and 1500# RTJ	DFO-2069	12.25 (311)	6.12 (156)	2.75 (70)	30.06 (764)	13.12 (333)	6.88 (175)	
		DFO-2105	12.25 (311)	6.12 (156)	2.75 (70)	34.44 (875)	16.00 (407)	6.88 (175)	
		DFO-2156	12.25 (311)	6.12 (156)	2.75 (70)	34.44 (875)	18.62 (473)	6.88 (175)	
		DFO-3220	12.25 (311)	6.12 (156)	2.75 (70)	41.37 (1051)	21.10 (536)	9.12 (232)	
	2500# RF	DFO-2156	15.38 (391)	7.69 (195)	3.25 (83)	34.31 (871)	18.62 (473)	6.88 (175)	
		DFO-3220	15.38 (391)	7.69 (195)	3.25 (83)	41.37 (1051)	21.10 (536)	9.12 (232)	
	2500# RTJ	DFO-2156	15.50 (394)	7.75 (197)	3.25 (83)	34.31 (871)	18.62 (473)	6.88 (175)	
		DFO-3220	15.50 (394)	7.75 (197)	3.25 (38)	41.37 (1051)	21.10 (536)	9.12 (232)	

Refer to Figure 3 Valve Actuator Schematic



Model DF2000 Control Valve

Table 9

Model DF2000 with Fail Close Actuator Envelope Dimensions - Inches (mm)

Valve Size	End Connector	Actuator Size	A	B	C	D	E	F	
1 Inch	NPT	DFC-1069	6.62 (168)	3.31 (84)	1.81 (46)	29.38 (746)	13.13 (333)	5.00 (127)	
		150# RF	DFC-1069	8.12 (206)	4.06 (103)	1.81 (46)	29.38 (746)	13.13 (333)	5.00 (127)
		300# RF	DFC-1069	8.62 (219)	4.31 (109)	1.81 (46)	29.38 (746)	13.13 (333)	5.00 (127)
		600# RF	DFC-1069	9.12 (232)	4.56 (116)	1.81 (46)	29.38 (746)	13.13 (333)	5.00 (127)
		900# and 1500# RF and RTJ	DFC-1069	10.0 (254)	5.00 (127)	1.81 (46)	29.38 (746)	13.13 (333)	5.00 (127)
2 Inch	NPT	DFC-2069	9.00 (229)	4.50 (114)	2.75 (70)	31.88 (810)	13.13 (333)	6.88 (175)	
		DFC-2105	9.00 (229)	4.50 (114)	2.75 (70)	38.75 (984)	16.00 (407)	6.88 (175)	
		DFC-2156	9.00 (229)	4.50 (114)	2.75 (70)	38.75 (984)	18.62 (473)	6.88 (175)	
	150# RF	DFC-2069	10.50 (267)	5.25 (133)	2.75 (70)	31.88 (810)	13.13 (333)	6.88 (175)	
		DFC-2105	10.50 (267)	5.25 (133)	2.75 (70)	38.75 (984)	16.00 (407)	6.88 (175)	
		DFC-2156	10.50 (267)	5.25 (133)	2.75 (70)	38.75 (984)	18.62 (473)	6.88 (175)	
	300# RF	DFC-2069	10.50 (267)	5.25 (133)	2.75 (70)	31.88 (810)	13.13 (333)	6.88 (175)	
		DFC-2105	10.50 (267)	5.25 (133)	2.75 (70)	38.75 (984)	16.00 (407)	6.88 (175)	
		DFC-2156	10.50 (267)	5.25 (133)	2.75 (70)	38.75 (984)	18.62 (473)	6.88 (175)	
	600# RF	DFC-2069	11.25 (286)	5.63 (143)	2.75 (70)	31.88 (810)	13.13 (333)	6.88 (175)	
		DFC-2105	11.25 (286)	5.63 (143)	2.75 (70)	38.75 (984)	16.00 (407)	6.88 (175)	
		DFC-2156	11.25 (286)	5.63 (143)	2.75 (70)	38.75 (984)	18.62 (473)	6.88 (175)	
	900# and 1500# RF	DFC-2069	12.12 (308)	6.06 (154)	2.75 (70)	31.88 (810)	13.13 (333)	6.88 (175)	
		DFC-2105	12.12 (308)	6.06 (154)	2.75 (70)	38.75 (984)	16.00 (407)	6.88 (175)	
		DFC-2156	12.12 (308)	6.06 (154)	2.75 (70)	38.75 (984)	18.62 (473)	6.88 (175)	
		DFC-3220	12.12 (308)	6.12 (156)	2.75 (70)	45.06 (1145)	21.10 (536)	9.12 (232)	
	900# and 1500# RTJ	DFC-2069	12.25 (311)	6.12 (156)	2.75 (70)	31.88 (810)	13.13 (333)	6.88 (175)	
		DFC-2105	12.25 (311)	6.12 (156)	2.75 (70)	38.75 (984)	16.00 (407)	6.88 (175)	
		DFC-2156	12.25 (311)	6.12 (156)	2.75 (70)	38.75 (984)	18.62 (473)	6.88 (175)	
		DFC-3220	12.25 (311)	6.12 (156)	2.75 (70)	45.06 (1145)	21.10 (536)	9.12 (232)	
	2500# RF	DFC-2156	15.38 (391)	7.69 (195)	3.25 (83)	37.94 (964)	18.62 (473)	6.88 (175)	
		DFC-3220	15.38 (391)	7.69 (195)	3.25 (38)	45.06 (1145)	21.10 (536)	9.12 (232)	
	2500# RTJ	DFC-2156	15.50 (394)	7.75 (197)	3.25 (38)	37.94 (964)	18.62 (473)	6.88 (175)	
		DFC-3220	15.50 (394)	7.75 (197)	3.25 (38)	45.06 (1145)	21.10 (536)	9.12 (232)	

Refer to Figure 3 Valve Actuator Schematic



Model
DF2000 Control Valve

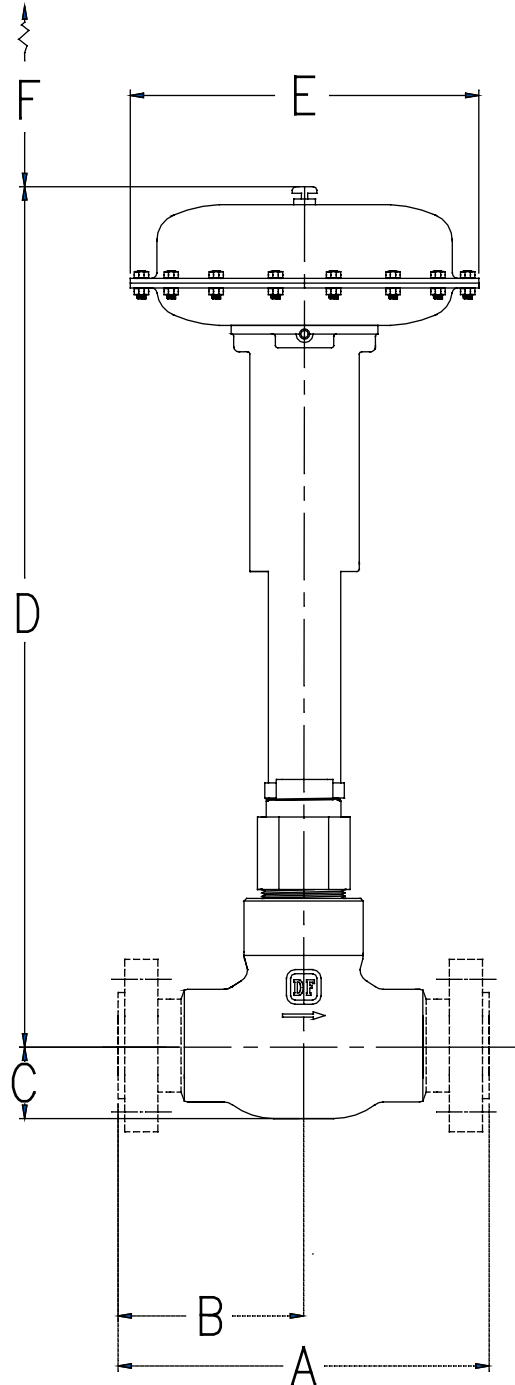


Figure 3
Valve Actuator Schematic
(Refer to Tables 8 and 9)

Note | Valve with or without flanges. Model DFC Actuator Shown



Model **DF2000** Control Valve

Ordering Guide

Dyna-Flo DF2000 Control Valve | Model Numbering System

Sample Part Number

DF2000 - 2AF2 - S1X

Code	Description
X	Special
Shut Off Classification	
1	Class IV (Standard)
2	Class V (Optional)
Valve Trim Material	
S	316 SST / Alloy6 (standard)
T	Tungsten Carbide
Packing Style	
-	Double (standard)
L	Live Loaded PTFE
G	Single Graphite
Orifice Size	
2	1/4 Inch Port
3	3/8 Inch Port
4	1/2 Inch Port
6	3/4 Inch Port
8	1 Inch Port (2 Inch Body Only)
10	1-1/4 Inch Port (2 Inch Body Only)
Connection Style	
F	RF
J	RTJ
N	NPT
ANSI Rating	
A	150#
B	300#
C	600#
D	900# / 1500#
E	3750# PSI (NPT)
F	2500#
N	6250# (NPT)
Body Size (Mounting Connection / Stem Size)	
1	1 Inch Body (2-1/8" / 3/8")
2	2 Inch Body (2-13/16" / 1/2")
3	2 Inch Body (3-9/16" / 3/4")

Note

Refer to Dyna-Flo's Sales Bulletin on type DFC and DFO diaphragm actuators for actuator sizing. Please contact your Dyna-Flo sales office for further information on any item.

Our Commitment of Quality

Dyna-Flo is committed to continuous improvement. All efforts have been taken to maximize the accuracy of this information. Without notification, product specifications and designs may be modified at any time. The issue of this document is for information only, and does not imply suitability, a warranty, or guarantee for a specific service.