

Series 140

Safety Valve Heavy-Duty Air Service



APPLICATIONS INCLUDE:

Series 140 is a ball-seated safety valve used for applications where higher capacity may be required with a smaller sized valve. Designed, tested and built for heavy-duty applications.



USAGES:

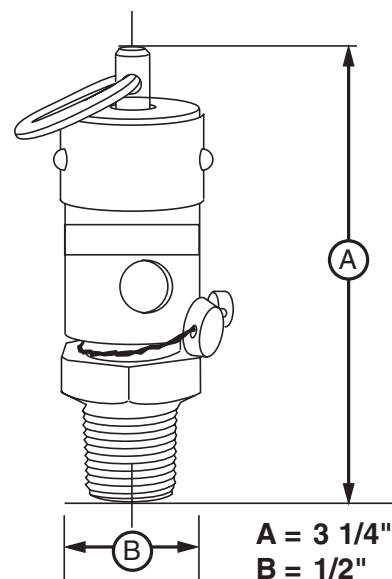
- Pressure relief, overpressure protection
- Higher capacity levels

FEATURES:

- Economical
- Fixed blow-down

OPTIONS:

- Brass, Teflon or Stainless Steel ball-seat
- Ring (showing) or handle style lift lever
- Stainless steel or brass valve



140 Series Capacity Chart • Air Service		In Standard Cu. Ft. Per Minute (SCFM)													
1/4" - 3/8" - 1/2"															
SET PRESSURE PSIG	5	10	15	20	25	30	35	40	45	50	60	70	80	90	100
ALL SIZES	16	20	24	28	32	37	41	45	49	54	62	70	79	87	96
SET PRESSURE PSIG	105	110	115	120	125	130	135	140	145	150	160	170	180	190	200
ALL SIZES	100	104	109	113	117	121	125	130	134	138	147	155	163	172	180

Flow ratings and assembly prints are available.



10195 Brecksville Road, Brecksville, OH 44141 USA • Telephone: +1.440.838.7690 • Fax: +1.440.838.7699 • E-mail: farris@curtisswright.com
Facilities: Brecksville, OH USA, Brantford, Ontario, Edmonton, Alberta, Canada, Kettering, Northants, UK, Delhi, India
Offices: worldwide. For a listing of our global sales network, visit our website at www.farrisengineering.com

While this information is presented in good faith and believed to be accurate, Curtiss-Wright Flow Control Corporation, Farris Engineering, does not guarantee satisfactory results from reliance on such information. Nothing contained herein is to be construed as a warranty or guarantee, expressed or implied, regarding the performance, merchantability, fitness or any other matter with respect to the products, nor as a recommendation to use any product or process in conflict with any patent. Curtiss-Wright Flow Control Corporation, Farris Engineering, reserves the right, without notice, to alter or improve the designs or specifications of the products described herein. Valves are manufactured, assembled, set and tested by Aquatrol, Inc.