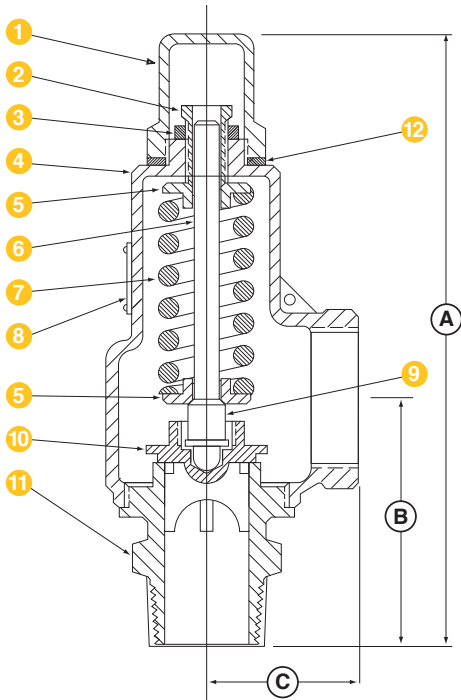


Series 69

Standard Relief Valves for Liquid Applications.

APPLICATIONS INCLUDE:

Engineered and designed for heavy-duty industrial usages.
Single piece bonnets with sealed hex-caps to minimize leakage.



SIZES FROM 1/4" TO 3"
PRESSURE TO 750 PSIG
TEMPERATURES TO 450° F

PARTS IDENTIFICATION & MATERIALS		
ITEM	PART NAME	MATERIAL
1	HOOD	BRASS
2	PRESSURE SCREW	BRASS
3	LOCK NUT	BRASS
4	BONNET	BRONZE
5	SPRING PLATE	BRASS/STEEL*
6	SPRING POST	BRASS/STEEL*
7	SPRING	STAINLESS STEEL
8	NAME PLATE	ALUMINUM
9	SPRING PLATE SUPPORT	BRASS/STEEL*
10	DISC	BRONZE
11	BODY	BRASS/BRONZE
12	SEALING DISK	TEFLON

* STEEL PLATED

ORDERING/IDENTIFICATION	
SERIES	DESCRIPTION
69	BRASS/BRONZE SEATING (STD)
69-F	FEMALE INLET
69-H	HANDLE WHEEL

SERIES 69 DIMENSIONS • LIQUID PLEASE SPECIFY SERIES, SIZE, SERVICE AND SET PRESSURE.

SERIES	VALVE SIZE	OUTLET SIZE	SEAT SIZE	-----DIMENSIONS-----			MAX. SET PRESSURE PSIG	WEIGHT LBS
				A	B	C		
69	1/2"	1/2"	1/2" - A	5 7/8	2 1/8	1 3/8	400	1.5
69	1/2"	3/4"	1/2" - A	5 7/8	2 1/8	1 3/8	400	1.5
69	3/4"	3/4"	3/4" - B	6	2 3/8	1 3/8	400	2
69	3/4"	1"	3/4" - B	6	2 3/8	1 3/8	400	2
69	1"	1"	1" - C	7 1/2	2 5/8	1 7/8	400	3
69	1"	1 1/4"	1" - C	7 1/2	2 5/8	1 7/8	400	3
69	1 1/4"	1 1/4"	1 1/4" - D	8 1/2	3 1/4	2	400	4.5
69	1 1/4"	1 1/2"	1 1/4" - D	8 1/2	3 1/2	2	400	4.5
69	1 1/2"	1 1/2"	1 1/2" - E	9 3/4	3 1/2	2 1/2	400	6.5
69	1 1/2"	2"	1 1/2"	9 3/4	3 1/2	2 1/2	400	6.5
69	2"	2"	2" - F	11 1/8	4	2 5/8	400	9.25
69	2"	2 1/2"	2" - F	11 1/8	4	2 5/8	400	9.25
69	2 1/2"	2 1/2"	2-1/2" - G	12	4 3/4	3 1/8	400	21
69	2 1/2"	3"	2 1/2" - G	12	4 3/4	3 1/8	400	22
69	3"	3"	3" - H	13 1/2	5 1/8	4 3/8	400	24

STANDARD VALVE FOR LIQUID RELIEF IS "SAME SIZED OUTLET" (UNLESS OTHERWISE SPECIFIED)
STAINLESS STEEL TRIMMING RECOMMENDED FOR PRESSURE SETTINGS OVER 300 PSI (OR FOR CHEMICAL REACTIVE PURPOSES)
2-1/2 & 3" MAX SET PRESSURE 350 PSI

